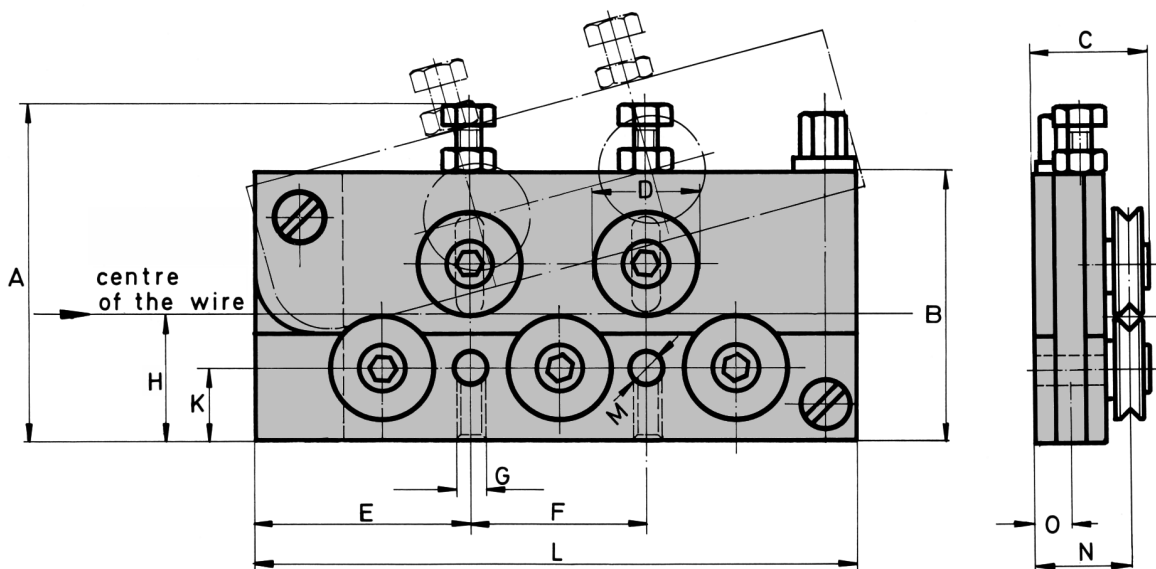


KV - Straightener with Scissor Closing

Scissor style closing allows for a very narrow construction, ideal for applications where many wires are run in close proximity.



KV5 - Five Roll Unit



KV Series	Wire Diameter Ranges (mm) ϕ				
	≤ 1.5	1.5 - 3.0	3.0 - 5.0	5.0 - 9.0	9.0 - 14.0
Common Measurements					
A	85	95	95	148	227
B	60	70	75	110	180
C	34	37	37	60	71
D	21	30	35	52	80
E	51	56	60	100	120
F	32.5	42.5	50	100	120
G	M6	M6	M8	M12	M12
H	33	36	39	62	90
K	20	20	20	36	48
M	6.6	9	9	13	13
N	25	27	27.5	41	43.5
O	10	10	10	12.5	12.5
Rolls	WR21	WR300	WR3500	WR520	WR800
5 Roll	KV5-1.5	KV5-3	KV5-5	KV5-9	KV5-14
L	135	155	170	300	360
Kg	1.4	1.6	2	6.3	14.9
7 Roll	KV7-1.5	KV7-3	KV7-5	KV7-9	KV7-14
L	167.5	197.5	220	400	480
Kg	1.8	2	2.6	8.9	21.7